

Boom Lift

Snorkel



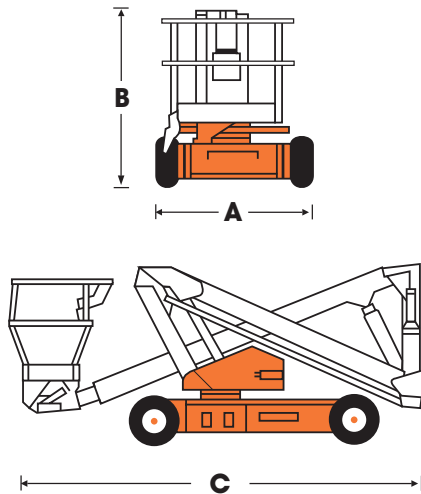
- Working height up to 43ft. 7in.
- 18ft. 4in. working outreach at 17ft. 9in. clearance height
- Simple one-hand proportional controls
- Tight inside turning radius just 1ft. 3in.
- Efficient direct electric drive
- Platform rotator

AB38N AB38W

AB38N/38W boom lift specifications

	AB38N	AB38W
max. working height	43ft.7in.	43ft.7in.
max. platform height	37ft.7in.	37ft.7in.
max. working outreach	18ft 4in.	18ft. 4in.
clearance height at max. outreach	17ft.9in.	17ft.9in.
platform capacity (SWL)	475lb.	475lb.
platform size - outside	24in. x 48in.	24in. x 48in.
width A	4ft.11in.	5ft.8in.
stowed height B	6ft.5in.	6ft.5in.
stowed length C	13ft.3in.	13ft.3in.
gross weight	8,470lb.	6,996lb.
gradeability	19.5° / 36%	19.5° / 36%
inside turning radius	1ft.3in.	1ft.3in.
outside turning radius	7ft.10in.	8ft.9in.
ground clearance	6in.	6in.
max. drive speed stowed	2.5mph.	2.5mph.
max. drive speed elevated	0.43mph.	0.43mph.
control system	smooth, one-hand proportional controls	
power source	8 x 6V, 220Ah batteries	

DANGER: Models described in this brochure are NON-INSULATED and do not provide electrocution protection from contact with or close proximity to energized conductors which is pointed out on decals and placards attached to the machine. Only qualified and trained operators are to be authorized to use and operate a work platform. Aerial work platforms must be elevated only on firm, level surface. Products in this brochure comply with applicable ANSI Standards. This literature is for illustrative purposes only. Consult Operating Maintenance and Parts Manuals for proper procedures. Specifications may vary and are subject to change without notice or obligation.



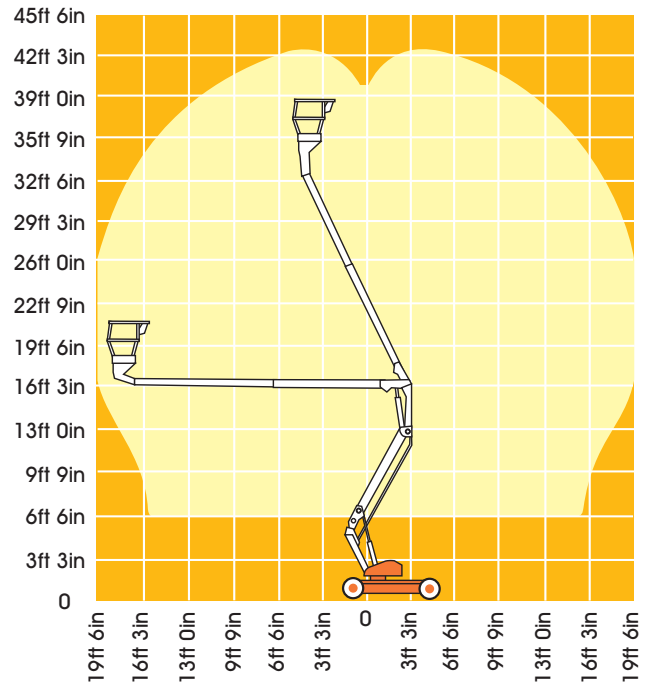
BP1 - AB38N/38W USA 12/07

standard features

- Proportional one-hand controls
- Manual platform rotator
- Minimal front boom overhang
- Ultra-tight inside turning radius
- Tilt alarm
- Large, two person platform
- Direct DC drive parallel wired wheel motors
- Non-marking tires
- Duplicate boom controls at ground level
- 1 year parts and labor warranty
- 5 years structural warranty

options

- Flashing amber beacon
- Power cable to platform
- Special paint colors
- Environmental green oil



dimensions in ft. & in.

Snorkel PO Box 1160, St. Joseph, MO 64502-1160, USA
 Tel: +1 (785) 989-3000 Toll Free: +1 (800) 255-0317
 Sales fax: +1 (785) 989-3070 Parts fax: +1 (785) 989-3077
www.snorkelusa.com

Meets or exceeds applicable requirements of OSHA, ANSI A92.6 and CSA B354.1-04
 CE This product is available with the CE mark confirming compliance with all relevant European Machinery Directives

manufactured by
Snorkel
 INTERNATIONAL