

Boom Lift

Snorkel



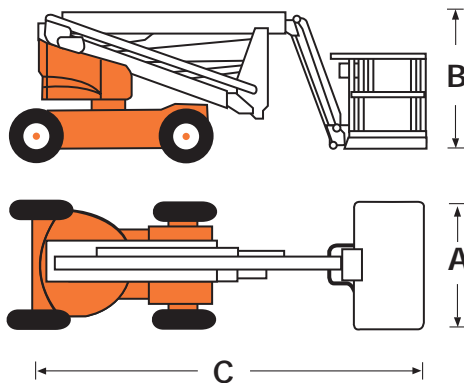
- Working height up to 53ft. 2in.
- Clearance height at max. outreach up to 25ft. 3in.
- Electric proportional controls
- 5ft, 140° jib
- 2WD or 4WD rough terrain
- Ultra-tight inside turning radius of 24in.
- Large 69in. x 39in. working platform

AB46JE AB46JRT

AB46JE/46JRT self propelled boom specifications

	AB46JE 2WD	AB46JRT 4WD
max. working height	52ft. 10in.	53ft. 2in.
max. platform height	46ft. 4in.	46ft. 7in.
max. working outreach	24ft. 7in.	24ft. 7in.
clearance height at max. outreach	24ft. 11in.	25ft. 3in.
jib length	5ft.	5ft.
jib arc	140°	140°
platform capacity (SWL)	500lb.	500lb.
platform size - outside	39in. x 69in.	39in. x 69in.
platform rotation	140°	140°
turret rotation	360° non-continuous	360° non-continuous
width A	5ft. 9in.	6ft. 10in.
stowed height B	6ft. 7in.	7ft.
stowed length C	18ft.	18ft. 8in.
gross weight	14,300lb	14,660lb
gradeability	19°/35%	24°/45%
inside turning radius	24in.	35in.
outside turning radius	9ft. 10in.	11ft. 5in.
tailswing - stowed	0	0
cycle time to full height	66 sec	66 sec
ground clearance	6in.	13in.
max. drive speed - stowed	3.5mph	4.6mph
max. drive speed - elevated	0.5mph	0.5mph
tires	high grip poly filled	high grip poly filled
power source	8 6V 350 Ah batteries	Kubota V1505 Diesel

DANGER: Models described in this brochure are NON-INSULATED and do not provide electrocution protection from contact with or close proximity to energized conductors which is pointed out on decals and placards attached to the machine. Only qualified and trained operators are to be authorized to use and operate a work platform. Aerial work platforms must be elevated only on firm, level surface. Products in this brochure comply with applicable ANSI Standards. This literature is for illustrative purposes only. Consult Operating Maintenance and Parts Manuals for proper procedures. Specifications may vary and are subject to change without notice or obligation.



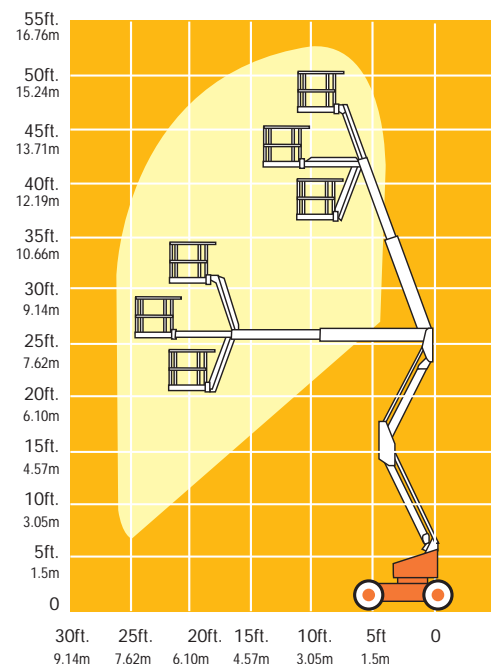
BP1, AB46JE/AB46JRT USA 12/07

standard features

- Multi-function, variable speed platform controls
- Oscillating front axle (4WD model only)
- Proportional controls
- Power to platform
- Hour meter
- Battery charge indicator (electric only)
- Wide rough terrain tires (4WD model only)
- 1 year parts and labor warranty
- 5 years structural warranty

options

- Motion alarm
- Flashing amber beacon
- Diesel scrubber (Diesel models only)
- Air-filled tires
- Special paint colours
- Environmental green oil



dimensions in feet and inches

Meets or exceeds applicable requirements of OSHA, ANSI A92.6 and CSA B354.1-04

CE This product is available with the CE mark confirming compliance with all relevant European Machinery Directives

manufactured by
Snorkel
INTERNATIONAL

PO Box 1160, St. Joseph, MO 64502-1160, USA
Snorkel Tel: +1 (785) 989-3000 Toll Free: +1 (800) 255-0317
 Sales fax: +1 (785) 989-3070 Parts fax: +1 (785) 989-3077
www.snorkelusa.com